

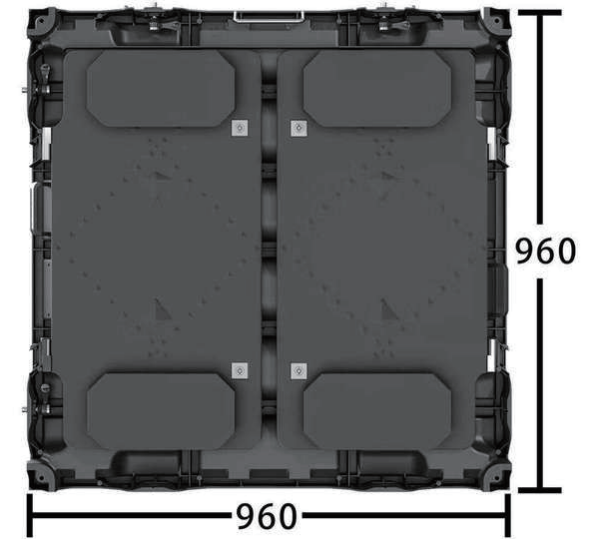


# Outdoor Fixed LED Display Screen

# oFixed - A Series

P4-P10 Full Color Near Seamless Die-casting Aluminum Cabinet Series

High Protection Grade of IP65, High Quality Aluminum Alloy with Good Dissipation, High Brightness, High Grey Scale, Seamless Assembly, Silent Design with Fanless Design



# oFixed - B Series

P4-P10 Full Color Simple Equipped Iron Sheet Cabinet Series

High Protection Grade of IP65, Light Weight, Independent disassembly box, High Brightness, High Grey Scale, Cabinet Size and Shape can be Customized Freely



# oFixed - A Series

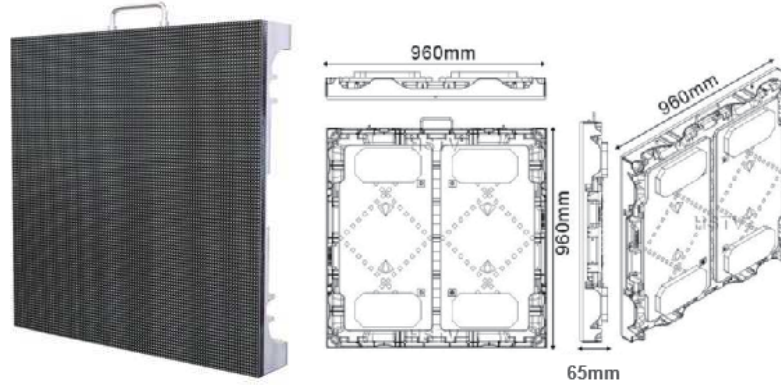
P4/P5/P6.7/P8/P10 Full Color Near Seamless Die-casting Aluminum Cabinet Series



SMD RGB 3 in 1 LED, High Brightness  $\geq 5000\text{cd}/\text{m}^2$



Die-casting Aluminum Cabinet great heat Dissipation



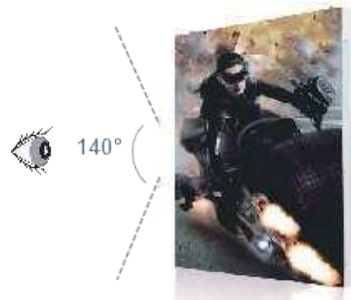
Thin design provide more possibility



IP65 Rated Waterproof and Dustproof



Near-seamless connection with gap less than 0.1mm



120° Wide Viewing Angle Broader Reach

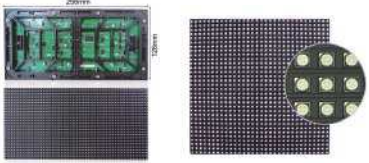


Fast installation and lock with orientation pins

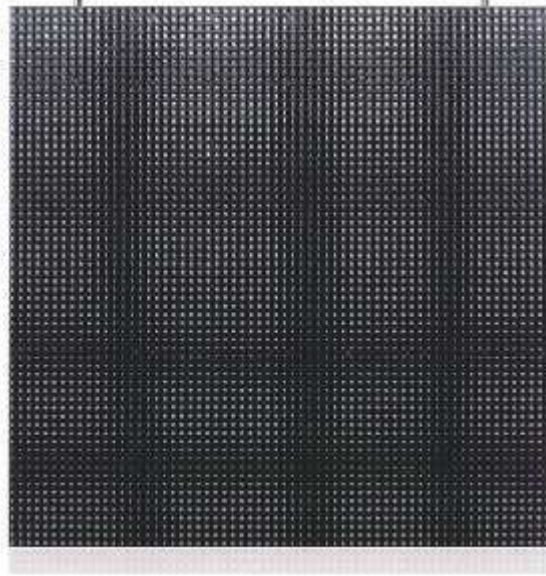


Part #	oF-A4	oF-A5	oF-A6	oF-A6.7	oF-A8	oF-A10
Pixel Pitch	4mm	5mm	6mm	6.7mm	8mm	10mm
View Distance	>4m	>5m	>6m	>7m	>8m	>10m
Cabinet Size(mm)	960x960	960x960	960x960	960x960	960x960	960x960
Cabinet Resolution	240x240	192x192	160x160	143x143	120x120	96x96
Cabinet Pixel(Dots)	57600	36864	25600	20164	14400	9216
Brightness(nits)	>4500	>4500	>4500	>4500	>4500	>4500
LED	1921	2525	3535	3535	3535	3535
Scan	16S	8S	8S	6S	5S	2S
Operating Temperature	-20°C ~ 60°C (-4°F ~ 140°F)					
Contrast Rate	3000:1					
Color Depth	16bit					
Grey Level	16384					
Refresh Frequency	>1920HZ					
Driving IC	MBI/ICN					
Color Uniformity	$\geq 97\%$					
Input voltage	AC100-240V					
Power Supply	Standard: CE/Premium:UL CE MeanWell					
Controlling System	Nova					
Viewing Angle	H:140deg,V:140deg.					
Power Consumption(w)	Max.800W/m <sup>2</sup> Avg.400W/m <sup>2</sup>					
Blind Spot Rate	$\leq 0.0003$					
Protection Grade	IP65					
Maintenance	Rear					

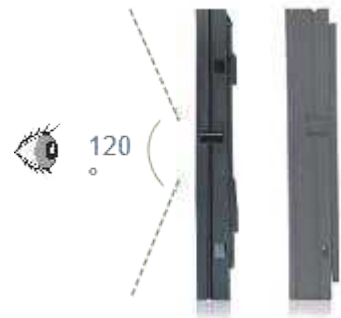
# oFixed - B Series



SMD RGB 3 in 1 LEDs,  
High Brightness  $\geq 5000\text{cd}/\text{m}^2$



Optimize the cooling system  
with built-in fan



120° Wide Viewing Angle  
Broader Reach



Rain trough design,  
IP65 Rated



130mm  
Thinner and lighter than  
the traditional cabinet



Nova control system ensure  
great quality output, stability  
and reliability



CE/UL qualified power supply  
provide security



Part #	oF-S3	oF-S4	oF-S5	oF-S6	oF-S6.7	oF-S8	oF-S10
Pixel Pitch	3mm	4mm	5mm	6mm	6.7mm	8mm	10mm
View Distance	>3m	>4m	>5m	>6m	>7m	>8m	>10m
Cabinet Size(mm)	768x768	960x960	960x960	960x960	960x960	960x960	960x960
Cabinet Resolution	256x256	240x240	192x192	160x160	143x143	120x120	96x96
Cabinet Pixel(Dots)	65536	57600	36864	25600	20164	14400	9216
Brightness(nits)	>4500	>4500	>4500	>4500	>4500	>4500	>4500
LED	1921	1921	2525	3535	3535	3535	3535
Scan	32S	16S	8S	8S	6S	5S	2S
Operating Temperature	-20°C ~ 60°C(-4°F ~ 140°F)						
Contrast Rate	3000:1						
Color Depth	16bit						
Grey Level	16384						
Refresh Frequency	>1920HZ						
Driving IC	MBI/ICN						
Color Uniformity	$\geq 97\%$						
Input voltage	AC100-240V						
Power Supply	Standard: CE/Premium:UL CE MeanWell						
Controlling System	Nova						
Viewing Angle	H:140deg,V:140deg.						
Power Consumption(w)	Max.800W/m² Avg.400W/m²						
Blind Spot Rate	$\leq 0.0003$						
Protection Grade	IP65						
Maintenace	Rear						

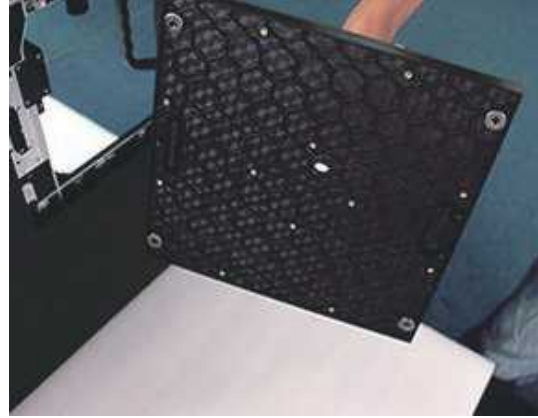
# Maintenance

## Front Maintenance

Auto-match magnet design for front access LED display screen, make maintenance time easier than traditional method.



Use the sucking tool to pull the module away from the cabinet.



Disconnect the cables and take the module out for maintenance.



## Rear Maintenance

Screw fixing design which rear access available, tradition and economic construction.



# Applications

The SMD LED Screen can be used for many purposes and at many places. It can be used for advertisement, banner display, demonstration, video displays, educational purposes and much more. You may use it at outdoor areas like highways, streets, malls, stages, stadium and at many more outdoor places.



# Certifications



**IC-T**  
Certificate of Compliance

Order No. 180201-02100

**Applicant:** SHENZHEN HUALKE LIGHT ELECTRONICS CO., LTD.  
Address: 1702-1703, Building 17, Hualake Plaza, Qianhai, Shenzhen, Guangdong, China

**Manufacturer:** SHENZHEN HUALKE LIGHT ELECTRONICS CO., LTD.  
Address: 1702-1703, Building 17, Hualake Plaza, Qianhai, Shenzhen, Guangdong, China

**Product:** LED Display Screen

**Order No.:** H-180201-02100

**Model No.:** H-180201-02100

Product	Applied Standard	Compliance Status	Test
LED Display Screen	EMC/CE/ROHS/REACH	Compliant	CE/ROHS/REACH

**RoHS**

**REMARK:** The Certificate of Conformity was issued on the basis of the information provided by the applicant. IC-T is not responsible for the accuracy of the information provided by the applicant. IC-T is not responsible for the accuracy of the information provided by the applicant. IC-T is not responsible for the accuracy of the information provided by the applicant.

Shenzhen IC-T Technology Co., Ltd.  
1702-1703, Building 17, Hualake Plaza, Qianhai, Shenzhen, Guangdong, China

**IC-T**  
Verification of Conformity

Order No. 180201-02100

**Applicant:** SHENZHEN HUALKE LIGHT ELECTRONICS CO., LTD.  
Address: 1702-1703, Building 17, Hualake Plaza, Qianhai, Shenzhen, Guangdong, China

**Manufacturer:** SHENZHEN HUALKE LIGHT ELECTRONICS CO., LTD.  
Address: 1702-1703, Building 17, Hualake Plaza, Qianhai, Shenzhen, Guangdong, China

**Product:** LED Display Screen

**Order No.:** H-180201-02100

Product	Applied Standard	Compliance Status	Test
LED Display Screen	EMC/CE/ROHS/REACH	Compliant	CE/ROHS/REACH

**CE**

**REMARK:** The Certificate of Conformity was issued on the basis of the information provided by the applicant. IC-T is not responsible for the accuracy of the information provided by the applicant. IC-T is not responsible for the accuracy of the information provided by the applicant. IC-T is not responsible for the accuracy of the information provided by the applicant.

Shenzhen IC-T Technology Co., Ltd.  
1702-1703, Building 17, Hualake Plaza, Qianhai, Shenzhen, Guangdong, China

**IC-T**  
Verification of Conformity

Order No. 180201-02100

**Applicant:** SHENZHEN HUALKE LIGHT ELECTRONICS CO., LTD.  
Address: 1702-1703, Building 17, Hualake Plaza, Qianhai, Shenzhen, Guangdong, China

**Manufacturer:** SHENZHEN HUALKE LIGHT ELECTRONICS CO., LTD.  
Address: 1702-1703, Building 17, Hualake Plaza, Qianhai, Shenzhen, Guangdong, China

**Product:** LED Display Screen

**Order No.:** H-180201-02100

Product	Applied Standard	Compliance Status	Test
LED Display Screen	EMC/CE/ROHS/REACH	Compliant	CE/ROHS/REACH

**CE**

**REMARK:** The Certificate of Conformity was issued on the basis of the information provided by the applicant. IC-T is not responsible for the accuracy of the information provided by the applicant. IC-T is not responsible for the accuracy of the information provided by the applicant. IC-T is not responsible for the accuracy of the information provided by the applicant.

Shenzhen IC-T Technology Co., Ltd.  
1702-1703, Building 17, Hualake Plaza, Qianhai, Shenzhen, Guangdong, China

**IC-T**  
Verification of Conformity

Order No. 180201-02100

**Applicant:** SHENZHEN HUALKE LIGHT ELECTRONICS CO., LTD.  
Address: 1702-1703, Building 17, Hualake Plaza, Qianhai, Shenzhen, Guangdong, China

**Manufacturer:** SHENZHEN HUALKE LIGHT ELECTRONICS CO., LTD.  
Address: 1702-1703, Building 17, Hualake Plaza, Qianhai, Shenzhen, Guangdong, China

**Product:** LED Display Screen

**Order No.:** H-180201-02100

**RoHS**

**REMARK:** The Certificate of Conformity was issued on the basis of the information provided by the applicant. IC-T is not responsible for the accuracy of the information provided by the applicant. IC-T is not responsible for the accuracy of the information provided by the applicant. IC-T is not responsible for the accuracy of the information provided by the applicant.

Shenzhen IC-T Technology Co., Ltd.  
1702-1703, Building 17, Hualake Plaza, Qianhai, Shenzhen, Guangdong, China

**IC-T**  
SDoC's Compliance Information Statement

No. PFC011908180201-001

**Applicant:** SHENZHEN HUALKE LIGHT ELECTRONICS CO., LTD.  
Address: 1702-1703, Building 17, Hualake Plaza, Qianhai, Shenzhen, Guangdong, China

**Manufacturer:** SHENZHEN HUALKE LIGHT ELECTRONICS CO., LTD.  
Address: 1702-1703, Building 17, Hualake Plaza, Qianhai, Shenzhen, Guangdong, China

**Product:** LED Display Screen

**Order No.:** H-180201-02100

**FCC**

**REMARK:** The Certificate of Compliance was issued on the basis of the information provided by the applicant. IC-T is not responsible for the accuracy of the information provided by the applicant. IC-T is not responsible for the accuracy of the information provided by the applicant. IC-T is not responsible for the accuracy of the information provided by the applicant.

Shenzhen IC-T Technology Co., Ltd.  
1702-1703, Building 17, Hualake Plaza, Qianhai, Shenzhen, Guangdong, China